

SUPPLEMENT

TO THE

NEW ZEALAND GAZETTE

OF

FRIDAY, DECEMBER 1, 1905.

Published by Authority.

WELLINGTON, FRIDAY, DECEMBER 1, 1905.

CONTENTS.

	Page
Official Notices	2801
Applications for Letters Patent filed	2802
Complete Specifications accepted	2803
Provisional Specifications accepted	2808
Letters Patent sealed	2808
Letters Patent on which Fees have been paid	2808
Applications for Letters Patent abandoned.. .. .	2808
Applications for Letters Patent void	2809
Applications for Letters Patent lapsed	2809
Letters Patent void	2809
Design registered	2809
Designs expired	2809
Applications for Registration of Trade Marks	2809
Trade Marks registered	2814
Trade Mark Renewal Fees paid	2814
Trade Marks removed from Register	2814
Application for Trade Mark withdrawn	2814
Notice re Advertisements	2814
Illustrations of Inventions.	

Official Notices.

PATENT OFFICE LIBRARY.

THIS library contains the following publications, viz. :—

United Kingdom.

The full text of the specifications and complete drawings of inventions patented from the year 1617 up to the 10th August, 1905.

Classified abridgments of inventions to 1900.

Illustrated Official Journal, containing lists of recent applications, abridgments of inventions for which patents have been lately granted, patents void, &c., to October, 1905.

Index of Applicants.

Subject-matter Index.

Commissioner of Patent Journal, &c. (*).

Trade Marks Journal to July, 1905.

A

Canada.

Patent Office Record (containing illustrated abridgments of inventions, &c.) to March, 1905^(b).

Australia.

The Official Journal of Patents of the Australian Commonwealth (containing lists of applications for letters patent, abridgments of complete specifications accepted, &c.).

The Gazettes of the various States (containing lists of applications for registration of trade marks, &c.).

Specifications, drawings, abridgments, and indexes of Victoria, New South Wales, Queensland, and South Australia(*).

United States.

The Official Gazette of the United States Patent Office (containing illustrated abridgments of specifications, &c.) to October, 1905.

Mexico.

The Official Gazette of the Patent and Trade Mark Office.

General.

La Propriété Industrielle (the official organ of the International Bureau of the Union for the Protection of Industrial Property).

Patent laws of the world.

Patent and Trade Mark Review.

Text-books and handbooks on patents and trade marks.

Miscellaneous publications.

Illustrated catalogues, price-lists of machinery, &c.

BOOKS AND DOCUMENTS OPEN TO INSPECTION.

The following documents and books are open to public inspection at the Patent Office:—

Patents.

(Fee for each search or inspection, not exceeding one hour, 1s.)

1. The files relating to all applications for letters patent in respect of which complete specifications have been accepted.

2. Classified copies of specifications and drawings, with index and key^(a).
3. Register of Application for Letters Patent.
4. Register of Patents.
5. Register of Subsequent Proprietors of Letters Patent^(c).
6. Index of Patentees^(f).
7. Index of Proprietors of Letters Patent granted prior to 1890^(g).
8. Index of Specifications^(h).

Designs.

(Search fee, 1s. each quarter of an hour.)

1. Register of Designs, with Index of Names of Proprietors.
2. Classified Representations of Designs in respect of which Copyright has expired.
3. Index of Designs.

Trade Marks.

(Search fee, 1s. each quarter of an hour.)

1. The files relating to all applications for registration of trade marks.
2. Register of Applications for Registration of Trade Marks.
3. Register of Trade Marks.
4. Index of Applicants for Registration of Trade Marks⁽ⁱ⁾.
5. Index of Trade Marks.
6. Classified Representations of Trade Marks, with indexes.

Miscellaneous.

Register of Patent Agents.

FORMS.

The following forms, &c., may be had on application:—

- Application for letters patent.
- Provisional specification.
- Complete specification and copy thereof.
- Application for registration of design.
- Application for registration of trade mark.
- Applications for extension of time.
- Requests by subsequent proprietor to enter name on Register of Patents and Trade Marks.
- Printed sheets of information as to fees and procedure to obtain letters patent and to register a trade mark^(j).
- Pamphlet containing Act and Regulations (price 1s.).

OFFICIAL PUBLICATIONS.

The following publications may be obtained from the Government Printer, Wellington:—

- Printed specifications to the end of the year 1879.
- Annual lists of letters patent and letters of registration applied for, and particulars of applications lapsed, and patents lapsed, from 1880 to 1888 inclusive.
- Annual reports of the Registrar, containing alphabetical lists of applicants for letters patent and of inventions patented from 1889 to 1904 inclusive.
- The Patents Supplement to *Gazette* (containing notifications, applications for letters patent, abridged descriptions and drawings of inventions, &c.), published fortnightly.

LOCAL PATENT OFFICES.

Local patent offices for the reception of applications for letters patent without extra payment have been appointed at the following places: Ashburton, Auckland, Blenheim, Christchurch, Dunedin, Gisborne, Greymouth, Hokitika, Invercargill, Napier, Nelson, New Plymouth, Oamaru, Queenstown, Thames, Timaru, Wanganui, Westport. These are situated in the Supreme Court Buildings and S.M. Court Houses.

PATENT AGENTS.

A list of registered patent agents may be obtained on application.

- (a) Discontinued.
- (b) These may also be seen at the Public Libraries, Auckland and Christchurch.
- (c) In arrears. Not now being printed.
- (d) Key is in card index.
- (e) This Register contains only names of subsequent proprietors of letters patent granted prior to 1st January, 1890; since that date they appear in Register of Patents.
- (f) Includes all names of applicants, &c., and consists of four volumes to 4th November, 1903, and card index since that date. A separate card index is kept for current quarter.
- (g) The names of proprietors of subsequent letters patent appear in the Index of Patentees.
- (h) Contains classified abridgments of specifications from 1861, with extracts from drawings from July, 1904.
- (i) Names of applicants for registration and proprietors of trade marks are indexed at the beginning of the Registers up to 31st December, 1889; in separate volume up to 5th September, 1904; and since the latter date are in card index.
- (j) May also be obtained at any local Patent Office or money-order office.

Applications for Letters Patent filed.

LIST of applications for Letters Patent filed. (Where a complete specification accompanies an application an asterisk is suffixed; in all other cases a provisional specification has been lodged. In cases where the applicant is not the inventor the name of the latter appears in italics after the title.)

- No. 20315.—15th November.—R. Coates and J. Lees, Boulder City, W.A., and L. E. De Mole, Kalgoorlie.
Butter, provision, and liquid cooler.
- No. 20316.—15th November.—T. H. Mapp, Sydney.
Treating forage.
- No. 20317.—15th November.—United Shoe Machinery Company, Paterson, U.S.A.
Boot-turning machine. (*A. Eppler.*)
- No. 20318.—13th November.—W. J. Chambers, Doyleston.
Seed and manure sower.
- No. 20319.—18th November.—W. Hall, Addington.
Grain-dressing.*
- No. 20320.—13th November.—R. Weston, Sydenham.
Pedal-strap.
- No. 20321.—15th November.—T. Miller, North-east Valley.
Sash-lock.
- No. 20322.—14th November.—T. V. Whitmore, Christchurch.
Toasting-appliance.
- No. 20323.—14th November.—J. Bruce, Alexandra.
Spring catch.
- No. 20324.—16th November.—D. Urquhart and C. Sloper, Smithfield, N.Z.
Depilating hides.
- No. 20325.—16th November.—G. H. Hart, Koromiko.
Lock.
- No. 20326.—16th November.—T. H. Hawkins, London.
Acetylene lamp and generator.*
- No. 20327.—16th November.—E. J. Martin and A. C. Sutton, Auckland.
Half-tone process block.*
- No. 20328.—17th November.—J. Wilson, Christchurch.
Index file.
- No. 20329.—17th November.—T. Dugdale, Waimate.
Rainwater head and strainer.
- No. 20330.—17th November.—S. T. Cooper, Eltham.
Timber-wagon.
- No. 20331.—15th November.—E. W. H. Hutton, Dunedin.
Flax dressing.
- No. 20332.—18th November.—G. Totman, Auckland.
Brooch-fastening.
- No. 20333.—18th November.—W. McIntyre, Westport.
Coal-boring machine. (*J. Smith.*)
- No. 20334.—20th November.—E. Phillips, Melbourne.
Rendering-apparatus.* (*E. H. Fallows—J. H. Cayford.*)
- No. 20335.—20th November.—J. R. Park, Wellington.
Shackle. (*W. Beamish.*)
- No. 20336.—20th November.—H. T. Smith and A. E. Brown, Christchurch.
Station-indicator.*
- No. 20337.—20th November.—W. Porch, Epsom, Auckland.
Suction collar for pile-driving, &c.
- No. 20338.—20th November.—R. F. Thomas, Melbourne, and S. A. Bradley, Kilmore.
Fruit case.*
- No. 20339.—20th November.—T. H. Wilson, Brisbane.
Journal bearing.*
- No. 20340.—20th November.—E. G. Gresham, Dunedin.
Dental plates.
- No. 20341.—20th November.—E. G. Gresham, Dunedin.
Dental instrument.
- No. 20342.—21st November.—J. Trounson, Kaihu.
Scrub and fern cutter.
- No. 20343.—21st November.—H. J. Wood, Christchurch.
Cooking utensil.
- No. 20344.—22nd November.—G. Middleton, London.
Road-vehicles wheel.*
- No. 20345.—22nd November.—C. Rutland and T. J. Hardwick, Perth, W.A.
Cycle inflation connection.
- No. 20346.—22nd November.—W. J. Winch, Kalgoorlie.
Beer, &c., pump.*
- No. 20347.—22nd November.—J. and E. McGregor, Turakina, and C. G. Ross, Taihape.
Sheep-shears.
- No. 20348.—22nd November.—A. J. C. Hugo, Kalgoorlie.
Locomotive-valve-setting machine.*

- No. 20349.—22nd November.—The Arcanum Limited, London.
Mineral-water manufacture, and delivery on draught.* (L. J. Moser.)
- No. 20350.—22nd November.—J. R. Park, Wellington.
Waterproof-fabric manufacture.* (L. A. Bond.)
- No. 20351.—22nd November.—R. G. Gibbons, Sydney.
Dynamo-electric generator.* (P. Rabidge.)
- No. 20352.—22nd November.—W. R. Garner, Melbourne.
Cycle gear.
- No. 20353.—22nd November.—A. G. W. and C. A. Beldam, London.
Packing for rods and plungers.* (G. H. Robinson.)
- No. 20354.—22nd November.—M. Heeb, Port Legar.
Turbine.
- No. 20355.—22nd November.—W. E. Hughes, Wellington.
Casting curved stereotypes.* (The Printing Machinery Company, Limited—H. A. W. Wood.)
- No. 20356.—22nd November.—A. Kaiser, Sydney.
Glass-polishing, &c., machine.* (N. Weider and Co.)
- No. 20357.—23rd November.—A. H. Allen, Worcester, Eng.
Painter's lamp.*
- No. 20358.—23rd November.—G. W. Mellor, London.
Compound deal forming-machine.* (G. S. Mayhew.)
- No. 20359.—23rd November.—J. R. Hatmaker, Paris.
Dry compound of coffee and milk.*
- No. 20360.—23rd November.—J. R. Hatmaker, Paris.
Blood-drying process.*
- No. 20361.—23rd November.—J. R. Hatmaker, Paris.
Fruit-drying process.*
- No. 20362.—23rd November.—J. H. Gray, San Francisco.
Shaft-bearings.*
- No. 20363.—20th November.—R. J. Collins, Auckland.
Directory.
- No. 20364.—20th November.—A. Williams, Auckland.
Funnel or filter.
- No. 20365.—21st November.—D. T. McPhedran, Timaru.
Music-holder for piano.
- No. 20366.—21st November.—W. Stone, Dunedin.
Sash raiser and lock.
- No. 20367.—18th November.—A. Billens, Christchurch.
Spraying plants.*
- No. 20368.—23rd November.—A. W. Loone, Scottsdale, Tas.
Cycle toe-clip. (W. Kilworth.)
- No. 20369.—21st November.—N. J. Ravn and P. Duncan, Christchurch.
Boot-sock.
- No. 20370.—23rd November.—T. Samuel, Westport.
Elevating and concentrating black sand.
- No. 20371.—24th November.—D. Robertson, Wellington.
Postmarking-machine.*
- No. 20372.—22nd November.—J. A. E. Loudon, Auckland.
Ice-chest.
- No. 20373.—25th November.—L. H. Burgoyne, Auckland.
Game.
- No. 20374.—25th November.—J. N. McConnell, Dunedin.
Cigarette-making by hand and for advertising.
- No. 20375.—25th November.—A. Lyell, Palmerston North.
Tea-fuser.
- No. 20376.—27th November.—G. B. Holmes and A. D. Allen, Wellington.
Trolley head.
- No. 20377.—23rd November.—C. Slemitz, Auckland.
Spray pump.
- No. 20378.—27th November.—A. G. French, Motupipi.
Cement-manufacture.
- No. 20379.—27th November.—J. H. Nicholls, Wellington.
Carpenters' gauge.
- No. 20380.—28th November.—T. G. Haigh, Linwood.
Whisking-machine.
- No. 20381.—23rd November.—W. B. Brain, Auckland.
Tonic and antidote.
- No. 20382.—25th November.—P. A. N. Smith and W. B. Brain, Auckland.
Electrical and oil motor-car and marine engine.
- No. 20383.—28th November.—W. Nicol, Wanganui.
Removing coal from railway-truck.

Notice of Acceptance of Complete Specifications.

Patent Office,
Wellington, 29th November, 1905.

COMPLETE specifications relating to the undermentioned applications for Letters Patent have been accepted, and are open to public inspection at this office. Any person may, at any time within two months from the date of this *Gazette*, give me notice in writing of opposition to the grant of any such patent. Such notice must set forth the particular grounds of objection, and be in duplicate. A fee of 10s. is payable thereon.

No. 18577.—11th October, 1904.—ERNEST GRUNDY, of Gisborne, New Zealand, Cabinetmaker. An improved portable woven-wire stretcher.*

Claims.—(1.) An improved stretcher characterized by the combination of woven wire placed transversely across the stretcher, side rails and battens secured to the edges of the woven wire, bolts passing through the side rails, nuts carried in recesses in the legs of the stretcher, there being longitudinal holes in the legs for the bolts, bolts for pivoting the legs together, a head-board having pins taking into holes in the side rails, and a spreader-bar between the rails at the bottom of the stretcher, substantially as set forth. (2.) The combination and arrangement of parts comprising an improved portable woven-wire stretcher, substantially as and for the purposes specified and as illustrated in the drawing. (Specification, 2s. 3d.; drawing, 1s.)

No. 18917.—31st December, 1904.—CHARLES SUTTIE, Engineer, and MONTAGUE HARRISON WYNYARD, Solicitor, both of Onehunga, Auckland, New Zealand. An improved apparatus for treating New Zealand flax after stripping.*

Extract from Specification.—The apparatus comprises an arrangement of pulleys and wire bands and a circular block or drum fixed or mounted to revolve on a perpendicular axis by which the blades or hanks of stripped flax may be fed on to the face of the drum or block so as to lie along it. Combined with these are a number of travelling beaters or scrapers which are so mounted as to pass along the face of the drum as it revolves in order to scrape the flax held thereon for the purpose before mentioned. At the same time a stream of water for washing away the waste matter is fed on to the drum at its top end.

[NOTE.—The above extract from the specification is inserted in place of the claims.]

(Specification, 4s.; drawing, 1s.)

No. 18929.—7th January, 1905.—WILLIAM DALL, of Dunedin, New Zealand, Merchant. Improved bowl- or ball-testing machine.*

Extract from Specification.—I make an arm to swing, preferably in centres, said arm having much the action of a man's arm in bowling, though usually the swing is longer. . . . The arm has a cup-like end, taking the place of a hand, and a thumb-like lever keeping the bowl in the cup till automatically releasing it at the point of swing needed.

[NOTE.—The above extracts from the specification are inserted in place of the claims.]

(Specification, 3s. 3d.; drawing, 1s.)

No. 18935.—10th January, 1905.—HENRY EDWIN McDONALD, of Petone, New Zealand, Merchant. A revolving egg-preserver.*

Claim.—A revolving egg-preserver consisting of an airtight box suspended on a stand by pivots on which it is made to turn, substantially as described, and illustrated in the drawings. The purpose being to preserve for indefinite periods by keeping the inner skin moistened by the albumen, so that no part becomes dry, therefore lifeless, and to keep the yoke in the centre of the egg.

(Specification, 2s.; drawing, 2s.)

No. 18964.—11th January, 1905.—JOHN PETERS, of Wairoa, Pokokomuka, via Dannevirke, New Zealand, Farmer. An egg-beater.*

Extract from Specification.—This invention provides a beater by which eggs may be rapidly and thoroughly beaten, and comprises a disc around the circumference of which teeth are formed by cutting slits around the disc and turning the metal between the slits alternately upwards and down-

wards. A handle is fitted to the centre of the disc for the purpose of revolving the beater between the hands of the operator.

[NOTE.—The above extract from the specification is inserted in place of the claims.]

(Specification, 1s. 9d.; drawing, 1s.)

No. 18971.—14th January, 1905.—JAMES RICHMOND, of Cromwell, Otago, New Zealand, Engineer and Dredgemaster. An improvement in gold-saving appliances.*

Extract from Specification.—The invention is an improved apparatus for the saving of gold or other metals on dredges and the like, and consists of a rectangular (preferably iron) trough-like screen in which are placed perforated plates with a series of drops of different grades. The under-side of trough or screen is fitted with angled plates placed longitudinally in such a manner as to convey the material to the centre of the trough or screen and to the head of the gold-saving tables proper. The whole apparatus is swung upon trunnions suspended with connecting rods from an overhead framework, the trough or screen is pitched to any required fall or angle by adjusting-screws, shafts are placed on the trough or screen, one either end, on which are secured sprocket-wheels, and are connected by endless chains on which are attached strong iron bars to remove any large stones that lodge on the perforated plates and convey the same to the elevator or after part of the dredge. A free oscillating movement is given to the trough or screen, operated by cams or eccentrics. The cams or eccentrics force the screen or trough in a forward direction, and when it is released suddenly it returns and strikes against a buffer of indiarubber or spring cushion, thus by percussion the material is sent down the screen or trough to the end of the dredge. Along either side, at a convenient height above the trough or screen, are placed sparge-pipes conveying water to wash the material as it is travelling over the perforated plates.

[NOTE.—The above extract from the specification is inserted in place of the claims.]

(Specification, 4s.; drawings, 2s.)

No. 18983.—19th January, 1905.—FRANK VICTOR RAYMOND, of Invercargill, New Zealand, Solicitor. Improvements in spreaders for dray-chains and the like.*

Claims.—(1.) In combination, a bar having both ends grooved, slotted caps riveted thereon, slotted metal straps with hook-like ends attached to bar on its upper and lower sides at both ends thereof, screw bolt to pass through the bar and the slots in straps, a nut for use thereon, ends of straps adjacent to the slots in same bent down. (2.) In combination, a bar having its ends even, slotted caps riveted thereon, slotted metal straps with hook-like ends attached to bar on its upper and lower sides at both ends thereof, screw bolt to pass through the bar and the slots in straps, a nut for use thereon, ends of straps adjacent to the slots in same bent down. (3.) In combination, a bar having slotted caps to fit its ends, means for fixing same, slotted metal straps with hook-like ends attached to bar on its upper and lower sides at both ends thereof, means to fix same to bar.

(Specification, 3s. 6d.; drawing, 1s.)

No. 19629.—26th June, 1905.—JAMES O'DOWD, of Tapanui, Otago, New Zealand, Boardinghouse-keeper. An improvement relating to roof-gutters.*

Claims.—(1.) In combination with a corrugated-iron roof and guttering, lengths of plain galvanised iron having one edge flanged to fit upon the moulded edge of the guttering and nails for securing the lengths of iron to the roof, substantially as set forth. (2.) The combination and arrangement of parts comprising the improvement relating to roof-gutters, substantially as set forth.

(Specification, 1s. 6d.; drawing, 1s.)

No. 19735.—14th July, 1905.—RICHARD JOHN FRY, of Kialla, Victoria, Australia, Labourer. An improved spring rabbit-trap which will not hold or injure sheep when caught therein.*

Extract from Specification.—Two protective plates are provided, suitably hinged or supported so that when the trap is set with the plates as a platform they will extend over the jaws. The trap has any suitable means (as the jaws themselves) to swing the protective plates towards their closed position when the jaws also approach that position. If there is nothing between the plates sufficiently large to arrest the movement of the plates

they will close sufficiently to permit the jaws to close firmly on the rabbit-foot or like cause of the trap being sprung. If, however, the cause is a sheep's hoof or like object, the closing of the plates is arrested in such position that they arrest the closing of the jaws, which will not then be so close to one another as the plates, and the hoof or the like upon which the plates have closed will then be removed by the animal. To support the plates in their closed or nearly closed position there may be a horizontal wire or equivalent projection attached to each jaw (fig. 6), and a horizontal wire attached to the frame below each jaw may be used as pins of the plate hinges. These hinges may be formed by means of metal eyes or loops secured to or integral with the plates.

[NOTE.—The above extract from the specification is inserted in place of the claims.]

(Specification, 5s. 6d.; drawing, 1s.)

No. 20047.—14th September, 1905.—FRANK BLACKBURN, of Eden Terrace, near Auckland, New Zealand, Engineer, and JOHN ROBERTSON, of City Road, Auckland, New Zealand, Engineer. A non-refillable bottle.

Extract from Specification.—The purpose of this invention is to provide a bottle which having been filled with the form of fluid dealt in and afterwards once emptied cannot again be refilled. This is accomplished by the neck of the bottle being enlarged, two balls being placed within the lower portion of the neck fitted with rubber or the like, and when the bottle is once filled a centre-piece described being placed in the top part of the neck and fixed therein by water-glass or the like substance.

[NOTE.—The above extract from the specification is inserted in place of the claims.]

(Specification, 4s. 6d.; drawing, 1s.)

No. 20065.—21st September, 1905.—WILLIAM PRIESTLY MACINTOSH, of 4, Johnston Street, Annandale, near Sydney, New South Wales, Australia, Sculptor. An improved tobacc-lighter.

Claims.—(1.) In a cigar or cigarette lighter, the use of a metal tube such as A with a serrated or jagged edge such as D, and having therein contained a metal gauze wire disc such as E, and a layer or layers of finely teased asbestos such as C, substantially as described, and as illustrated in the drawings, for the purpose set forth. (2.) In a tobacco-pipe lighter, the use of a smokers' pipe such as B, with a metal-lined bowl such as F, having therein contained a metal wire-gauze disc such as E, with an elongated spike attached thereto such as G, and a layer or layers of finely teased asbestos such as C, substantially as described, and illustrated in the drawings, for the purpose set forth.

(Specification, 4s. 3d.; drawing, 1s.)

No. 20118.—30th September, 1905.—JABEZ ELLEN, of Staveley, New Zealand, Timber-merchant. Improved means for protecting a child's feeding-bottle from breakage.

Claims.—(1.) For the purpose indicated, enclosing a child's feeding-bottle in a rubber sack upon the inside surface of which are projections from the rubber which bear upon the bottle, as described. (2.) For the purpose indicated, the general arrangement, construction, and combination of parts, substantially as specified and as shown.

(Specification, 1s. 6d.; drawing, 1s.)

No. 20125.—4th October, 1905.—HARRY BENWELL STOCKS, of "Stanton," 124, Barlow Moor Road, Chorlton-cum-Hardy, Manchester, Lancaster, England, Engineer. Improvements in power hammers, and in means for operating same.

Extract from Specification.—My invention relates to power hammers and similar percussive tools actuated by pneumatic pressure, and to means for operating the same. With each power hammer I use a separate air-compressor, and as an essential novel feature of my invention I provide means whereby the pressure obtained at each impulse of the compressor is withheld from the tool until a predetermined pressure is attained within the tubing conducting the power to the tool. On the pressure within the tubing being raised above the predetermined degree a loaded valve, or a system of loaded valves, is overcome by such excess pressure, and conducts the air to one side or other of the reciprocating piston or hammer. The piston or hammer of the tool is unaffected unless and until the required predetermined pressure is exceeded, when the loaded valve or valves in the tool

is or are overcome as explained, and the pressure is utilised with a sudden impulse and at its full intensity at each end of the piston or hammer alternately to actuate the piston.

[NOTE.—The above extract from the specification is inserted in place of the claims.]

(Specification, £1 4s.; drawings, 8s.)

No. 20133.—5th October, 1905.—FREDERICK MACKAY, of 30, Elizabeth Street, Melbourne, Victoria, Australia, Managing Director of the Coal Creek Proprietary Company, and ALFRED JAMES BECKWITH, of 25, Darling Street, South Yarra, near Melbourne aforesaid, Gentleman (assignees of John Collins Clancy, of Footscray, near Melbourne aforesaid, Analytical Chemist and Metallurgist). Improvements in the extraction of gold, silver, lead, zinc, and other metals, and the production of lead-sulphate from mixed or complex sulphide ores.

Extracts from Specification.—According to our invention we dispense with the preliminary roasting and the use of fluxes and coke, and obtain the complete desulphurization or oxidation of the sulphides and at the same time using the heat generated in the oxidation of the sulphides to sulphates and oxides of their corresponding metals during the continuous charging of the ore-dust and air into a heated chamber in one operation, with or without the use of extraneous heat such as carbonaceous fuel or mixing the pulverised ores with coal-dust or products of carbonaceous fuel, &c. We pulverise the raw sulphide ore or metallurgical product to a condition of ore-dust or to a very finely divided form or comminuted state by means of an efficient pulveriser. The pulverised ore now in the state of ore-dust is forced or blown by means of a fan or by means of an induced or natural air-current into a heated chamber made of fire-resisting material.

Connected with the chamber is a small gas producer for the purpose of heating the chamber to the ignition-point of the finely divided metallic sulphides, and the ignition-point can be maintained without further aid of extraneous heat provided the ore is rich enough in volatile metal or metallic sulphides. . . . The fume and now desulphurized ore-dust passes with the oxidized sulphur gases into a series of brick or other flues provided with settling-chambers, so as to allow the said ore-dust room to expand, cool, and drop its solid particles. The fume that is lead-sulphate and some zinc-oxide is sucked by means of a fan and made to pass into calico filtering-apparatus, well known and in use for the capture of lead fume. This may be collected and smelted for the recovery of its metallic contents, or treated by known methods, or sold as white pigment. . . . The desulphurized ore-dust, which may contain gold, silver, or other metals, being insoluble, is smelted for the recovery of those metals, or may be treated by other known metallurgical methods. The oxidized sulphur gases which pass with the fume from the fume-chamber may be utilised for leaching out the zinc from the desulphurized ore-dust if necessary.

[NOTE.—The above extracts from the specification are inserted in place of the claims.]

(Specification, 6s.)

No. 20137.—5th October, 1905.—HENRY L. LIGHTNER, of 1310, Guerrero Street, Mining Engineer; WILLIAM PRIEST, of 3512, 25th Street, Model-maker; and HENRY FEIGE, of 1068, Capp Street, Builder; all of San Francisco, California, United States of America. Apparatus for recovering precious metals.

Claims.—(1.) In an apparatus of the character described, comprising a device having an extended surface over which the pulp can be moved, means for discharging pulp thereon, and means for causing jets of air to be directed towards said surface to continually drive the pulp over said surface, substantially as described. (2.) In an apparatus of the character described, the combination of a device having an extended surface over which pulp can be moved, means for discharging pulp on to said surface, an air-supply pipe over said surface, a series of nozzles carried by said pipe and discharging the air against the pulp on said surface, and means for rotating said pipe relatively to the surface, said nozzles being so directed that by successive impulses from the jets of air therefrom the particles of pulp are continually moved in a uniform direction relatively to the surface to separate the lighter particles from the heavier, substantially as described. (3.) In an apparatus of the character described, the combination of a device having a circular extended surface over which pulp may be moved, means for discharging pulp on to said surface, a series of pipes extending over said surface, nozzles carried by said pipes and discharging air against the pulp on to said surface, said nozzles being directed to operate upon the lighter portion of the pulp and move it either to the centre or to the circumference, leaving the heavier particles upon said surface, substantially as described. (4.) In

an apparatus of the character described, the combination of a vessel having a circular amalgamated concave surface, means for supplying pulp upon the central portion of said surface, an air-blast apparatus comprising radial outlets capable of discharging air-jets directly upon the surface in a downwardly and outwardly direction, whereby the pulp is carried up the incline and the waste portion thereof is discharged, substantially as described. (5.) In an apparatus of the character described, the combination of a vessel having a circular amalgamated concave surface, means for supplying pulp upon the central portion of said surface, a pipe adapted to contain mercury, the outlet end of said pipe being raised to a predetermined height to determine the level of the mercury on said surface, an air-blast apparatus comprising radial outlets capable of discharging air-jets directly upon the surface in a downwardly and outwardly direction whereby the pulp is carried up the incline and the waste portion thereof is discharged, substantially as described. (6.) In an apparatus of the character described, the combination of a pan having an amalgamated concave surface and a raised centre forming an annular trough, a receiver for pulp suspended above the pan-centre and having discharge-openings around the centre, an air-blast apparatus comprising an air pipe extending through the bottom of the receiver, radial arms extending from the air-pipe and having air-discharge openings, and mechanism whereby the arms are revolved, substantially as described. (7.) In an apparatus of the character described, the combination of a vessel having a surface over which pulp may be moved, means for discharging pulp on to said surface, pipes extending over said surface and having perforations whereby jets of air are discharged against the pulp thereon, and means for gradually separating said pipes and the bottom of the vessel as the vessel is filled, substantially as described. (8.) In an apparatus of the character described, the combination of a vessel having a surface over which pulp may be moved, means for discharging pulp on to said surface, pipes extending over said surface and having perforations whereby jets of air are discharged against the pulp thereon, means for rotating said pipes, and means for gradually separating said pipes and the bottom of the vessel as the vessel is filled, substantially as described. (9.) In an apparatus of the character described, the combination of a vessel having a surface over which pulp may be moved, having openings at its periphery and means for adjustably controlling said openings, means for discharging pulp on to said surface, pipes extending over said surface and having perforations whereby jets of air are discharged against the pulp thereon, and means for gradually separating said pipes and the bottom of the vessel as the vessel is filled, substantially as described.

(Specification, 11s.; drawing, 3s.)

No. 20160.—10th October, 1905.—BRENDA ARNOT, of Lincoln Road, Masterton, Wellington, New Zealand, Artist. Improved cooking-apparatus for use with gas-burners.

Extract from Specification.—The apparatus comprises a tray made of tinplate, upon which the burner rests. A ring of similar metal surrounds the tray, and has a gap through which the neck of the gas-burner passes. The top of the ring is provided with cross-bars for supporting cooking-utensils. Ordinary cooking-utensils may be used, but for roasting I provide a special utensil made in two parts joined together and secured by a clip at the end of handles whereby the utensil is manipulated.

[NOTE.—The above extract from the specification is inserted in place of the claims.]

(Specification, 2s. 6d.; drawing, 1s.)

No. 20170.—12th October, 1905.—PETER ANDERSEN, of Langdrathof, Hadersleben, Prussia, Germany, Farmer. Improvements in milking-apparatus.

Claims.—(1.) The combination in a milking-machine of a separate pump and connections for each teat of the animal being milked, a common crank shaft for actuating the pumps, outlets for the pump-barrels, a non-return valve on the suction inlet to the pump, an air-valve connected with such inlet, and means for connecting the pump with the udder of the animal, all substantially as set forth. (2.) In a milking-apparatus, a milking-cup constructed of solid material and arranged to attach itself directly to the udder of the animal being milked without pressure on the teats, substantially as set forth. (3.) The combination in a milking-machine of a separate pump and connections for each teat of the animal being milked, a common crank shaft for actuating the pumps, outlets for the pump-barrels, a non-return valve on the suction inlet of the pump, an air-valve connected to such inlet, a solid milking-cup connecting to the udder of the animal without pressure on the teats, and a detachable tube connecting the milking-cup with the pump, all substantially as set forth.

(Specification, 4s. 6d.; drawings, 2s.)

No. 20190.—19th October, 1905.—ALEXANDER HOUSEMAN, of Charleston, near Newcastle, New South Wales, Australia, Carpenter. Improved closure for bottles to contain liquid under pressure.

Extract from Specification.—An improved closure for bottles to contain liquid under pressure consists of a cap or capsule secure over the mouth and on the neck of the bottle so as to make a gastight joint thereon and so that a valve may also make a tight joint against the internal bottom of the neck, and so that a pipe or spout passing thru said cap or capsule is adapted to open said valve by pressure thereon regulated by an external thumb-piece.

[NOTE.—The above extract from the specification is inserted in place of the claims.]

(Specification, 3s. 6d.; drawing, 1s.)

No. 20194.—17th October, 1905.—WILLIAM KENNEDY, of Sheffield, Canterbury, New Zealand, Farmer. A mixture for treating turnip and other seeds to preserve the plants from the attacks of insects.

Claim.—For the purpose indicated, treating turnip-seeds with a mixture consisting of kerosene, rum, and Condy's fluid, in the manner and in about the proportions as set forth.

(Specification, 1s. 3d.)

No. 20200.—16th October, 1905.—WILLIAM MORTON, Mechanical Engineer, and JOHN HERCUS, Commission Agent, both of Dunedin, New Zealand. Improved double-hung ventilating-sashes forming casements for ventilation or cleaning.

Extract from Specification.—We hinge each of the sashes, the top and also the bottom one, to sliding strips, to which the balance-weights are secured. These sliding pieces are about the length of each sash to which they are hinged, and they are rebated or dovetailed in section for the purpose of keeping in position and so holding the sashes in their position also. As sashes these sashes move up and down freely in a similar manner, but may be instantly secured in any position (as shut or slightly open, &c.) by a clipping-device actuating each. When desired, the bead opposite to the hinges on which said sashes are hung can readily be removed, and the bottom sash can then open inwards like a casement.

[NOTE.—The above extract from the specification is inserted in place of the claims.]

(Specification, 3s. 6d.; drawing, 1s.)

No. 20204.—17th October, 1905.—ALEXANDER WORSFOLD, of Ultimo Road, Sydney, New South Wales, Australia, Manufacturer. Improved movable seat appliances for dog-carts, gigs, and suchlike vehicles, which appliances can also be used for other analogous purposes.

Extracts from Specification.—A is the seat, which is provided underneath with four bracket pieces, BB, that carry anti-friction rollers C on vertical axes . . . When the seat is to be shifted, the small handle J, Fig. 1, is slightly raised; this will operate the connecting-rods j, j' , and draw the bolt F towards itself, withdrawing the projection f' of the bolt F from one of the notches H in the vertical members d of the angle irons; the seat may then be slid forward or backward as required; the handle J will then be released, and the projection f' will engage with the nearest of the notches H. The part f of the bolt F is the part that slides over the lip E, the head of the bolt f' sliding in the groove e in the base plate B'. The part f being recessed, the traverse of the bolt is limited to the length of the recess. Other parts of the apparatus, which it is not necessary to signalise, may be provided with studs, stops, or recesses, to limit the play of the seat or of any of the appliances in either direction.

[NOTE.—The above extracts from the specification are inserted in place of the claims.]

(Specification, 4s. 6d.; drawing, 1s.)

No. 20207.—21st October, 1905.—ANDREW BUTCHART WALLACE, of "Wagner Cottage," Perry Street, Masterton, Wellington, New Zealand, Pianoforte Expert, and HERBERT JOHN JONES, of Opaki Road, Lansdowne, Masterton aforesaid, Engineer. Improved apparatus for employment in connection with pianos for developing technique.

Claims.—(1.) Apparatus for the purpose indicated, comprising, in combination, a rocking-shaft journalled within the

casing of a piano, springs projecting from said shaft and bearing upon the key-levers, a lever projecting from the rocking-shaft, a connecting-rod connecting said lever with one arm of a vertically vibrating bell-crank, a link connecting the other arm of said bell-crank with a horizontally vibrating bell-crank which has one arm extending towards the front of the piano and moving over an indicating-dial, and means for securing it in position, substantially as specified, and illustrated in the drawings. (2.) In apparatus for the purpose indicated, in combination, a rocking-shaft journalled within the casing of a piano, springs carried by said rocking-shaft and bearing upon the key-levers of the piano, and means for rocking said shaft to regulate the pressure on the key-levers, substantially as and for the purposes specified, and as illustrated in the drawings. (3.) Apparatus for the purpose indicated, consisting of the parts arranged, combined, and operating substantially as and for the purposes specified, and as illustrated in the drawings.

(Specification, 3s. 9d.; drawing, 1s.)

No. 20217.—25th October, 1905.—AMERICAN SEEDING-MACHINE COMPANY, a corporation of New Jersey, with their office at No. 15, Exchange Place, Jersey City, State of New Jersey, United States of America (assignees of Frederick George Colley and Ernest Baseman, both of Macedon, New York, United States of America). Improvements in distributors for seeding-machines.

Claims.—(1.) In a seed-distributing device, a cup or casing, a wheel revolvably mounted therein, said wheel being provided with a peripheral flange, seed-pockets formed on the inner face of said flange, and means for ejecting the seed from said pockets, substantially as specified. (2.) In a distributing-device, a cup or casing, a distributor-wheel revolvably mounted in said cup or casing, a peripheral flange on said wheel, pockets formed on the inner face of said flange, a continuous channel connecting said pockets, and an ejector-finger extending into said channel, substantially as specified. (3.) In a seed-distributing device, a cup or casing, a wheel revolvably mounted in said cup or casing, a peripheral flange on said wheel, seed-pockets on the inner face of said flange, a seed-passage in said cup or casing terminating in a narrow throat in proximity to said pockets, and a resilient cut-off or regulator at the entrance to said throat, substantially as and for the purpose specified. (4.) The combination set forth in claim 3 in connection with having the cut-off or regulator formed of a thin strip of spring metal connected to the casing and extending in proximity to the pockets, with its end extending over said pockets at the entrance to said throat, substantially as and for the purpose specified. (5.) In a distributing-device for seeding machines, a cup or casing, a distributor-wheel revolvably mounted therein, a flange on the periphery of said wheel, seed-pockets on the inner face of said flange, a seed-passage in said cup or casing leading to said pockets, and a cut-off in said passage, substantially as and for the purpose specified.

(Specification, 5s. 6d.; drawing, 1s.)

No. 20218.—25th October, 1905.—REGINALD LISTER MORRELL, of 59, Hornsey Park Road, London, England, Gas-engineer. Improvements in or relating to carburetting-apparatus.

Claims.—(1.) In carburetting-apparatus, means for automatically controlling the supply of air to the carburetter, for automatically controlling the outlet of the hydrocarbon-saturated air, and for automatically controlling the air for diluting the hydrocarbon-saturated air to the required strength, substantially as and for the purposes set forth. (2.) In carburetting-apparatus, means for automatically regulating the proportions of hydrocarbon-saturated air and air for diluting the same to the required strength, substantially as and for the purposes set forth. (3.) In carburetting-apparatus, the use and application of automatic governors in the air-inlet pipe, the hydrocarbon-saturated air-outlet pipe, and the pipe for supplying a proportionate quantity of air for diluting the hydrocarbon-saturated air, to produce a mixture of uniform density or combustibility, substantially as and for the purposes set forth.

(Specification, 5s.; drawing, 1s.)

No. 20221.—25th October, 1905.—WILLIAM MIDDLETON, Engineer, and HERVIC NUGENT GRAHAME COBBE, Metallurgist, both of Kalgoorlie, Western Australia, Australia. Improvements in shoes and dies of grinding-pans.

Claims.—(1.) Grinding-dies having peripheral pockets as d_1 formed below their lowest wearable surface for the reception of one end of the holding-dowels as d_2 , substantially as

and for the purposes set forth, and as illustrated in Fig. 6 of the drawings. (2) Grinding-dies having peripheral pockets as *d1* for the reception of dowels as *d2*, whose outer ends are held in pockets as *d3* formed on the pan substantially as and for the purposes set forth, and as illustrated in Fig. 1 of the drawings. (3) An intermediate ring formed with lugs as *e1* which fit into pockets formed in the pan, and said ring being formed with slots as *e2* for receiving the lugs *e3* of the die, said lugs being formed below the lowest wearable surface of the die, substantially as and for the purposes set forth, and as illustrated in Fig. 2 of the drawings. (4) Forming projectional walls or ribs as *h* on the under side of the mullar plate as *f*, and as *d* of the die, or as *e1* on the upper side of the shoe, whereby permanent passage-ways are formed as between the companion dies and shoes and pan, substantially as set forth and explained, and as illustrated in Figs. 3 and 6 of the drawings. (5.) Distance blocks as *g* interposed between the mullar plates and shoe, or as *g1* between the die and floor of the pan, whereby permanent passage-ways are formed as between the companion shoes and dies and floor of the pan, substantially as and for the purposes set forth and explained, and as illustrated in Fig. 7 of the drawings.

(Specification, 5s. ; drawing, 1s.)

No. 20222.—25th October, 1905.—JOHN SMYTH GIBBON, of Lima East, Benalla, Victoria, Australia, Carpenter, and JAMES MCKEAN, of Benalla aforesaid, Farmer. Improvements in sash-supports and the like.

Claims.—(1.) In a sliding window-sash support or the like, a base plate having upon it a bar spring carrying a roller so projecting that the leverage of the base plate as described to locate and fix it to the sash or the like puts the desired pressure on the roller and the spring as indicated. (2.) In a sliding window-sash support or the like, a base plate having upon it a bar spring carrying a roller so projecting that the leverage of the base plate as described to locate and fix it to the sash or the like puts pressure on the roller and the spring as indicated, the base plate having a thumb-screw or means to bear on the spring and increase its pressure from time to time more or less as required. (3.) In a sliding window-sash support or the like, a base plate having a bar spring, with a roller on the spring so located that the fixing of the base plate puts the roller and spring under pressure, shrouded teeth or the like in the roller, and a pawl or means adapted to allow the roller to revolve in one direction and prevent its revolution in the other, as set forth. (4.) In a sliding window sash support or the like, an eccentrically mounted roller or the like at the free end of a bar spring so fixed relatively to a base plate that leverage may be applied as described in fixing the device for the purpose indicated.

(Specification, 4s. 6d. ; drawing, 1s.)

No. 20248.—30th October, 1905.—GEORGE CORNELIUS DE WITT, of No. 10, Parliament Place, Melbourne, Victoria, Australia, Metallurgist. An improved process for the treatment of antimonial and other refractory ores.

Extract from Specification.—My invention consists in mixing the finely ground ore, concentrates, or tailings with a sufficient proportion of finely ground charcoal, coke, coal, or other carbonaceous matter, and subjecting the mixture to a roasting operation in the presence of air, and collecting the oxide of antimony and other fume which is distilled off, and treating the residues for gold, silver, and other precious metals. Furthermore, the fume in its passage from the roasting-furnace to the condensers may be further subjected to an additional roasting operation in the presence of air for the completion of the oxidization of any particles of ore carried over in an unroasted or partially roasted condition, and also for the elimination of any impurities such as sulphur, charcoal, coke, &c.

[NOTE.—The above extract from the specification is inserted in place of the claims.]

(Specification, 6s.)

No. 20252.—30th October, 1905.—HAHNEMANN ADOLPHUS CUTMORE, of 115, Queen Victoria Street, London, England, Engineer. Improvements in or relating to telephone or like transmitters.

Claims.—(1.) A device attachable to telephone or like transmitters constructed substantially as and for the purposes set forth. (2.) In a device such as described, attachable to telephone or like transmitters, a member A having an annular diverging chamber formed therein, substantially as and for the purposes set forth. (3.) In a device such as described, attachable to telephone or like transmitters, a member A having gauzes or perforated parts such as C, E,

and F therein, substantially as and for the purposes set forth. (4.) In a device such as described, attachable to telephone or like transmitters, vents such as G formed in the member A or parts connected therewith, for the purpose of allowing for the escape of the air and sound disturbances, so that in speaking through the said device the sounds are conveyed to the transmitter clear and distinct. (5.) In a device such as described, attachable to telephone or like transmitters, a mouthpiece such as B adapted to fit closely over the mouth of the speaker, and having suitable vents formed therein to provide an outlet for the expanded air and allow for free breathing whilst conversing, substantially as and for the purposes set forth.

(Specification, 3s. ; drawing, 1s.)

No. 20253.—31st May, 1905.—WILLIAM EDWARD MARTIN, of Lincolnshire Ironworks, Stamford, Lincoln, England, Agricultural Engineer. Improved side-delivery rake.

[NOTE.—This is an application under section 106 of the Act, the date given being the official date of the application in Great Britain.]

Claims.—(1.) A side-delivery rake having a number of rakes, of length to extend completely across the machine, set obliquely to the line of travel, the teeth of which are always in a hanging vertical position, and have a rotary motion at right angles to the line of travel of the machine or parallel to the main axle. (2.) A machine as claimed in claim 1, having a bent rod the front and rear portions of which are parallel to each other and at right angles to the main axle, a sleeve mounted on one of the parallel portions of the rod and receiving motion from the main axle of the machine, and a hub mounted on the other parallel portion of said rod, radial arms or discs mounted on said sleeve and hub, bearings carried by said radial arms or discs, and rakes having heads which conform in shape to the bent rod carried by said bearings, substantially as set forth. (3.) A machine as claimed in claim 2 in which one end of the bent rod is hung on the main axle and the other end is supported by a swivelling-wheel which is provided with means for adjustment of height of that end of the bent rod, and is steadied by a stay hung on the main axle and bent to clear the rakes, substantially as set forth.

(Specification, 4s. ; drawing, 2s.)

No. 20264.—1st November, 1905.—HOWARD BUTTERS, of Lethangie, Havelock North, Hawke's Bay, New Zealand, Settler. An improved fencing-dropper.

Claims.—(1.) A fencing-dropper consisting of flat spring metal having recesses to receive the wires of the fence, with means for securing the fence-wires in said recesses comprising a wire loop carried around the fencing-wire, then across the face of the standard, and having its ends overlapping behind the fencing-wire upon the other side of the standard, substantially as specified, and as illustrated in the drawing.

(Specification, 1s. 6d. ; drawing, 1s.)

No. 20268.—2nd November, 1905.—WILLIAM HENRY NOSWORTHY, of 1, Herbert Terrace, Ramsgate, Kent, England, Engineer, and SAMUEL JAMES PRESCOTT, of 45, Church Street, Camberwell, London, England, Pawnbroker and Jeweller. Improvements in bottles and like vessels, and stoppers therefor.

Claims.—(1.) A bottle or like vessel arranged non-refillable, substantially as described. (2.) In a bottle or like vessel, the combination in locking relation therewith of a stopper enclosing mechanism consisting of a weighted valve and perforated tubular portions, said mechanism being characterized thereby that the formation of the valve-seating may be externally controlled, and after the bottle or like vessel has been positioned for pouring off the contents thereof the valve is effectually closed before the bottle, in being returned to an upright position, arrives at a horizontal position, substantially as described. (3.) In a bottle or like vessel, the combination with a stopper *c* adapted to be secured in locking relation with said bottle or vessel of perforated parts such as *m* and *n*, and a weighted valve mechanism comprising a casing *s* having openings *t* in the bottom thereof, a valve-seating *r*, valve *w*, valve-stem *v*, the frame designated by the parts *y*, *z*, and *1*, disc *x*, and preferably spherical weight 2 or weights 2 and 3, substantially as and for the purposes described and shown. (4.) In a bottle or like vessel arranged non-refillable by a stopper and mechanism as set forth, the combination therewith of means for locking said stopper on said bottle, substantially as described and shown. (5.) In a bottle or like vessel, the combination therewith of means for preventing refilling thereof in fraud of the original packer, said means

comprising the combination of parts substantially as described with reference to the drawings, for the purposes specified.

(Specification, 6s.; drawing, 3s.)

No. 20307.—13th November, 1905.—PATRICK MULLINS, of Sergeant's Hill, Westport, New Zealand, Contractor. Improved pack of playing cards.

Extract from Specification.—The pack will consist of fifty-three playing-cards, divided into four suites, in the same manner as ordinary playing-cards; but the suites, instead of representing hearts, diamonds, spades, and clubs, will be replaced by racehorses in four colours, of chestnuts, bays, greys, and blacks. The fifty-third card will be represented by the racehorse "Missing Voucher" to act as Joker. Every spot on cards in each suite will have shown thereon a racehorse, with name, sire and dam, owner and jockey, colour to match the suite.

[NOTE.—The above extract from the specification is inserted in place of the claims.]

(Specification, 2s.)

No. 20327.—16th November, 1905.—EDWARD JAMES MARTIN and ARTHUR CLEMENT SUTTON, both of Auckland, New Zealand, Half-tone Process Engravers. A metallic overlay for overlaying half-tone process blocks.

Claim.—The printing the plate of zinc-foil with an exact impression of the half-tone block to be overlaid, dusting a coating of bitumen-powder on the inky surface of the plate made by the impression, suitably burning the bitumen-powder to form an acid-resisting surface on the face of the impression, and immersing the plate in a solution of nitric acid suitably reduced with water until the exposed portions of the plate are etched to a depth of about .005 of an inch, for the purpose set forth, as specified.

(Specification, 1s. 9d.)

An asterisk (*) denotes the complete specification of an invention for which a provisional specification has been already lodged.

NOTE.—The cost of copying the specification and drawing has been inserted after the notice of each application. An order for a copy or copies should be accompanied by a post-office order or postal note for the cost of copying.

The date of acceptance of each application is given after the number.

Extracts from the drawings accompanying the foregoing complete specifications appear at the end of this *Gazette*.

J. C. LEWIS,
Deputy Registrar.

Provisional Specifications accepted.

Patent Office,
Wellington, 29th November, 1905.

APPLICATIONS for Letters Patent, with provisional specifications, have been accepted as under:—

- No. 19980.—S. Smith, shoes.
- No. 20115.—A. T. W. Allan and W. McCullough, portable tables, plates, and slides for saving gold.
- No. 20150.—A. H. Baskiville, cuff protector and blotter.
- No. 20188.—W. B. Jones, fencing-standard.
- No. 20197.—F. Marsh, apparatus for treatment and separation of gold.
- No. 20198.—F. Marsh, treating sea-beach sands, tailings, &c., for extraction of gold.
- No. 20211.—J. Burns, combination tool.
- No. 20213.—T. O'Neil, timing-apparatus for shutting off lights, &c.
- No. 20214.—A. E. Sykes, cattle-drench-administering appliance.
- No. 20226.—W. Brady and B. T. Chaytor, wheel-axle.
- No. 20237.—F. Rouse, R. and H. G. Black, operating wheel-lock.
- No. 20240.—W. E. Hill and J. Robinson, mitre-cutter.
- No. 20272.—L. Atkinson, operating switches of tramway and railway rails.
- No. 20274.—H. E. McDonald and L. V. Diamanti, ice and preserving cheser.
- No. 20276.—E. T. C. Firth, pumice soap.
- No. 20281.—C. H. Harris, kettle and saucepan.
- No. 20282.—J. G. Oates, sporting telegraph.
- No. 20284.—F. Cooper, disc plough.
- No. 20285.—W. J. Nankivell, life-saving raft.
- No. 20286.—T. Shale, insulator for electric wire.
- No. 20287.—J. W. Young, brooch-pin fastener.

- No. 20293.—E. G. Langton, toilet comb.
- No. 20298.—F. C. Brown, filtering slimes.
- No. 20300.—O. Paora, drain and road forming machine.
- No. 20301.—M. H. Roe and B. F. Cranwell, motor cross-cutting machine.
- No. 20302.—E. Broughton, machinery for scoring points in billiards.
- No. 20304.—P. E. Baldwin, drying and bleaching flax-fibre.
- No. 20309.—A. Mitchell, screw tap.
- No. 20313.—T. S. Philpott, game of cards.
- No. 20316.—T. H. Mapp, forage-treating apparatus.
- No. 20317.—United Shoe Machinery Company, boot-turning machine. (A. Eppler.)
- No. 20318.—W. J. Chambers, seed and manure sower and comb combined.
- No. 20322.—T. V. Whitmore, toasting-appliance.
- No. 20325.—G. H. Hart, lock.
- No. 20328.—J. Wilson, letter-index file.
- No. 20330.—S. T. Cooper, timber-wagon.
- No. 20343.—H. J. Wood, cooking utensil.

NOTE.—Provisional specifications cannot be inspected, or their contents made known by this office in any way, until the complete specifications in connection therewith have been accepted.

Letters Patent sealed.

LIST of Letters Patent sealed from the 16th November to the 29th November, 1905, inclusive:—

- No. 17822.—R. Wales, franking-machine.
- No. 17902.—W. Sasse, conveying water to dredge.
- No. 18280.—L. Banks, press-copying letters.
- No. 18306.—H. Quartier, dredging and excavating machinery.
- No. 18452.—J. Holms, jun., trace-spreader.
- No. 18640.—L. T. Reichel, wind and water motor.
- No. 18737.—J. Warry and P. Wigley, inverted incandescent gas burner.
- No. 19509.—G. P. Hughes, wood-splitter.
- No. 19750.—J. L. Weaver, placer mining.
- No. 19821.—J. Watson, metal-lathing.

Letters Patent on which Fees have been paid.

[NOTE.—The dates are those of the payments.]

SECOND-TERM FEES.

- NO. 13973.—E. R. Cahoon, stove. 22nd November, 1905.
- No. 14252.—J. A. Paterson, carburetter. 21st November, 1905.
- No. 14253.—J. A. Paterson, hydrocarbon-gas production. 21st November, 1905.
- No. 14254.—J. A. Paterson, absorbent for gas-producer. (W. T. Purves.) 21st November, 1905.
- No. 14255.—J. A. Paterson, incandescent burner. (W. T. Purves.) 21st November, 1905.
- No. 14264.—W. H. Lawrence, bench for pot-plants. 15th November, 1905.
- No. 14290.—W. Andrews and A. W. Beaven, chaff-cutter. 21st November, 1905.
- No. 14299.—The Victorian Forage-pressing Company Proprietary, Limited, forage-press. (J. Ferrier.) 22nd November, 1905.
- No. 14480.—The Wilfley Ore-concentrator Syndicate, Limited, ore-concentrator. (A. R. Wilfley.) 22nd November, 1905.
- No. 14547.—United Shoe Machinery Company, lasting-machine. (R. F. McFeely.) 22nd November, 1905.
- No. 14548.—United Shoe Machinery Company, lasting-machine. (E. A. Siggins.) 22nd November, 1905.

THIRD-TERM FEES.

- No. 11229.—J. E. Cooper, auto-motor carriage. (J. E. Cooper and W. J. Brewer.) 23rd November, 1905.
- No. 11285.—C. C. Worthington, steam-pump. 15th November, 1905.

Applications for Letters Patent abandoned.

LIST of applications, with which provisional specifications only have been filed, abandoned (i.e., complete specifications not lodged), from the 16th November to the 29th November, 1905, inclusive:—

- No. 18966.—A. T. W. Allan, chimney-top.
- No. 18967.—T. Smith, attaching clothes-prop to line.
- No. 18973.—H. J. Mitner, rabbit-extermination.
- No. 18976.—F. K. Kinloch, mono-wheel vehicle.
- No. 18977.—A. McLeod, diving-dress.

No. 18978.—R. Rickerby, potato-digger.
 No. 18981.—E. Rendell, ladies' shoulder-strap.
 No. 18986.—G. Renner and W. H. Boyens, egg-carrier.
 No. 18990.—S. J. Miller, railway tip-truck.
 No. 18991.—S. J. Miller, saw-handle fastener.
 No. 18993.—A. F. Cook, cultivator.
 No. 18995.—A. I. Senior, steam-turbine.
 No. 18997.—A. O. and W. J. Grundy, vaporiser for oil-engine.
 No. 19008.—A. T. Crosher, piston and cylinder for gas and oil engine.

Applications for Letters Patent void.

APPLICATIONS for Letters Patent, with which complete specifications have been lodged, void, owing to non-acceptance of such complete specifications, from the 16th November to the 29th November, 1905, inclusive:—
 No. 18322.—J. Craveri, meat-preserving process.
 No. 18358.—J. Purkiss, affixing stamps, &c.
 No. 18374.—C. E. H. Allen, clothes peg.

Applications for Letters Patent lapsed.

LIST of applications lapsed, owing to Letters Patent not being sealed, from the 16th November to the 29th November, 1905, inclusive:—
 No. 17924.—The Wanganui Brush-factory Company, Limited, bottle-brush. (E. D. Reid.)
 No. 17927.—F. Dovalosky, hair-pin.

Letters Patent void.

LETTERS Patent void through non-payment of renewal fees, and through expiry of term of fourteen years, from the 16th November to the 29th November, 1905, inclusive:—

THROUGH NON-PAYMENT OF SECOND-TERM FEES.

No. 18890.—T. Holden, securing fencing droppers.
 No. 18912.—J. Vorbach, cooking-pan hanger.
 No. 18918.—G. Westinghouse, supplying heat to coking, &c., oven. (W. J. Knox.)
 No. 18919.—G. Westinghouse, gas-manufacture. (W. J. Knox.)
 No. 18923.—D. Macdonald, cycle-gearing.
 No. 18924.—H. F. Kirkpatrick-Picard, recovery of zinc from sulphide ores.
 No. 18925.—H. Reck, A. Borsu, F. Küken, and A. Halemeier, centrifugal separator.
 No. 18932.—C. Curham and R. J. K. Jackson, blight-destroyer.
 No. 18937.—J. Trapski and S. Clarke, securing pins, shanks, &c.
 No. 18939.—D. Levat, dredge.
 No. 18940.—J. and R. H. Milburn, insecticide-dusting machine.
 No. 18944.—W. Hinchey and W. and J. Hagerty, pump-operating.
 No. 18947.—J. Hopson and H. H. Priest, hand signal-lamps.
 No. 18951.—C. E. Patric, grain-drill distributor.
 No. 18954.—A. Billens, hand-pump.

THROUGH NON-PAYMENT OF THIRD-TERM FEES.

No. 10892.—G. W. Newson and J. P. Harris, bicycle-support.
 No. 10901.—H. S. Elworthy, carbonic-acid manufacture.
 No. 10914.—W. Hart, wire-woven mattress.
 No. 10920.—H. Fulwood, door stop.

THROUGH EXPIRY OF TERM.
 Nil.

Design registered.

A DESIGN has been registered in the following name on the date mentioned:—
 No. 267.—Hubert John Suckling, of Christchurch, in the Colony of New Zealand, Cycle-mechanic. Class 1. 21st November, 1905.

Designs expired.

THE copyright in the following designs has expired:—

Nos. 124 and 125.—F. A. Newman, of Melbourne, Victoria. Class 5. (Card-markers.)

B

Applications for Registration of Trade Marks.

Patent Office,
 Wellington, 29th November, 1905.

APPLICATIONS for registration of the following trade marks have been received. Notice of opposition to the registration of any of these applications may be lodged at this office within two months of the date of this Gazette. Such notice must be in duplicate, and accompanied by a fee of £1.

No. of application: 4993.

Date: 3rd November, 1904.

TRADE MARK.



The essential particular of the trade mark is the representation of a motor-car; and the applicants disclaim the additional matter excepting their name and address.

NAME.

STANDARD OIL COMPANY OF NEW YORK, a corporation organized and existing under the laws of the State of New York, and doing business at 26, Broadway, in the City of New York, State of New York, United States of America.

No. of class: 47.

Description of goods: Motor spirit, particularly naphtha.

No. of application: 5014.

Date: 10th November, 1904.

TRADE MARK.



The essential particulars of this trade mark are the device of a cock, the holly scroll, and the word "Defiance"; and any right to the exclusive use of the added matter is disclaimed.

NAME.

JOSEPH NATHAN AND CO., LIMITED, of Featherston Street, Wellington, in the Colony of New Zealand, Merchants.

No. of class: 42.

Description of goods: Food stuffs, except tinned meats and fish, cordials, baking-powder, and egg-powder.

No. of application: 5241.

Date: 5th April, 1905.

TRADE MARK.

The word

COOP.

NAME.

HAYWARD BROS., LIMITED, of Christchurch, in the Colony of New Zealand, Pickle and Sauce Manufacturers.

No. of class: 42.

Description of goods: Substances used as food or as ingredients in food, except butter, poultry, and eggs.

No. of application: 5495.

Date: 31st August, 1905.

TRADE MARK.



The essential particulars of the trade mark are the device and the word "Tevia"; and any right to the exclusive use of the added matter is disclaimed.

NAME.

WILSON AND GLENNY, LIMITED, of Langlands and Ladylaw Mills, Hawick, in the County of Roxburgh, Scotland, Manufacturers.

No. of class: 34.

Description of goods: All tweed goods included in Class 34.

No. of application: 5561.

Date: 5th October, 1905.

TRADE MARK.



The essential particulars of the trade mark are as follow The device and the name "Suchard" printed in the particular and distinctive manner shown; and any right to the exclusive use of the added matter is disclaimed

NAME.

SUCHARD (SOCIÉTÉ ANONYME), of Neuchatel, Switzerland, Chocolate-manufacturers.

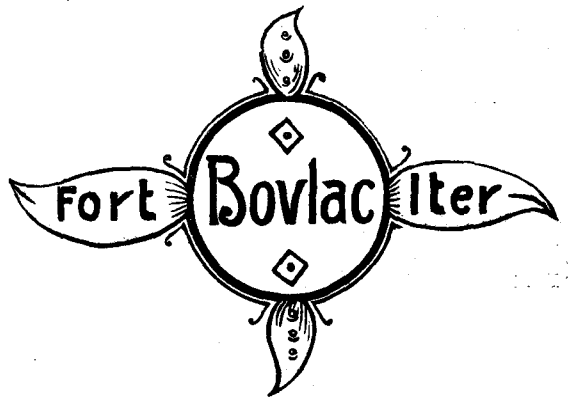
No. of class: 42.

Description of goods: Chocolate.

No. of application: 5584.

Date: 19th October, 1905.

TRADE MARK.



NAME.

ROBERT BAIN WIGHT, of Taihape, in the Colony of New Zealand, Storeman.

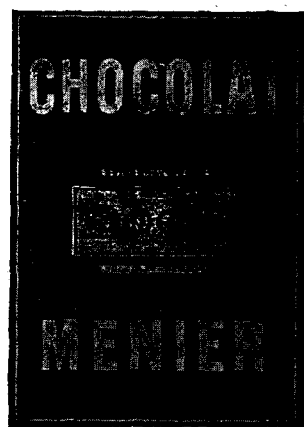
No. of class: 42.

Description of goods: Foods.

No. of application: 5599.

Date: 25th October, 1905.

TRADE MARK.



The essential particular of the trade mark is as follows: The combination of devices; and applicants disclaim any right to the exclusive use of the added matter, except in so far as it consists of their name and address.

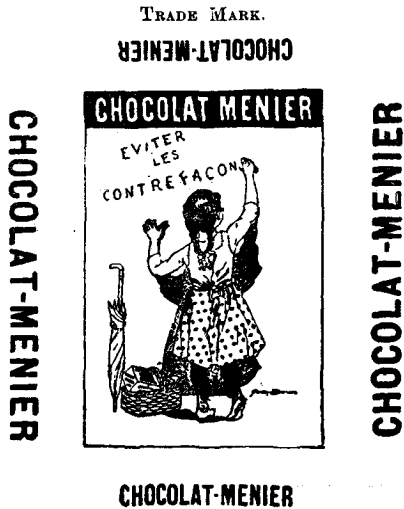
NAME.

SOCIÉTÉ MENIER, of 56, Rue de Châteaudun, Paris, France, Chocolate-manufacturers.

No. of class: 42.

Description of goods: Chocolate.

No. of application : 5601.
Date : 25th October, 1905.



The essential particular of the trade mark is as follows: The combination of devices; and applicants disclaim any right to the exclusive use of the added matter, except in so far as it consists of their name and address.

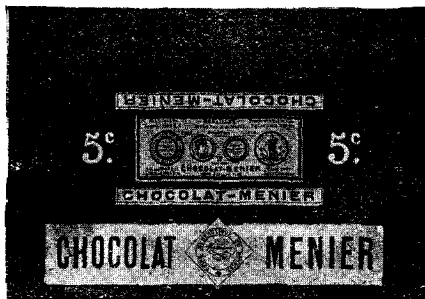
NAME.

SOCIÉTÉ MENIER, of 56, Rue de Châteaudun, Paris, France, Chocolate-manufacturers.

No. of class : 42.
Description of goods : Chocolate.

No. of application : 5602.
Date : 25th October, 1905.

TRADE MARK.



The essential particular of the trade mark is as follows: The combination of devices; and applicants disclaim any right to the exclusive use of the added matter, except in so far as it consists of their name and address.

NAME.

SOCIÉTÉ MENIER, of 56, Rue de Châteaudun, Paris, France, Chocolate-manufacturers.

No. of class : 42.
Description of goods : Chocolate.

No. of application : 5610.
Date : 27th October, 1905.

TRADE MARK.

The words
MOUNT HAMILTON.

The applicants claim that the said trade mark has been in use by them in respect of the articles mentioned prior to and continuously and regularly since the year 1890.

NAME.

THE CALIFORNIA FRUIT-CANNERS' ASSOCIATION, of San Francisco, California, United States of America.

No. of class : 42.
Description of goods : Dried and preserved fruits.

No. of application : 5634.
Date : 12th November, 1905.

TRADE MARK.

The word
O K O.

NAME.

JAMES PURKISS, of Halcombe, in the Colony of New Zealand, Commission Agent.

No. of class : 13.
Description of goods : Lug for buckets.

No. of application : 5636.
Date : 13th November, 1905.

TRADE MARK.

IVY  **LEAF.**

NAME.

DAVID ANDERSON AND SON, of 40, Molesworth Street, Wellington, in the Colony of New Zealand.

No. of class : 42.
Description of goods : Cereals, pulses, olive oil, dried fruits, canned fruits, tea, coffee, preserved and potted meats and fish, bacon, cheese, confectionery, pickles, vinegar, and all other substances used as food or as ingredients in food.

No. of application : 5637.
Date : 13th November, 1905.

TRADE MARK.

(The mark as shown in preceding notice, No. 5636.)

NAME.

DAVID ANDERSON AND SON, of 40, Molesworth Street, Wellington, in the Colony of New Zealand.

No. of class : 47.
Description of goods : Candles; detergents; illuminating heating, or lubricating oils; matches; starch; blue; washing-fluid; washing-powder; methylated spirits; and other preparations for laundry purposes (except soap and goods of the same description as soaps).

No. of application : 5638.

Date : 13th November, 1905.

TRADE MARK.



The essential particulars of this trade mark are the combination of devices and the word "Arbutus"; and applicants disclaim any right to the exclusive use of the added matter, except their name and address.

NAME.

THE BRITISH COLUMBIA PACKERS ASSOCIATION, of Vancouver, British Columbia, Canada.

No. of class : 42.

Description of goods : Canned salmon.

No. of application : 5639.

Date : 13th November, 1905.

TRADE MARK.



The essential particulars of this trade mark are the combination of devices and the word "Swallow"; and applicants disclaim any right to the exclusive use of the added matter, except their name and address.

NAME.

THE BRITISH COLUMBIA PACKERS ASSOCIATION, of Vancouver, British Columbia, Canada.

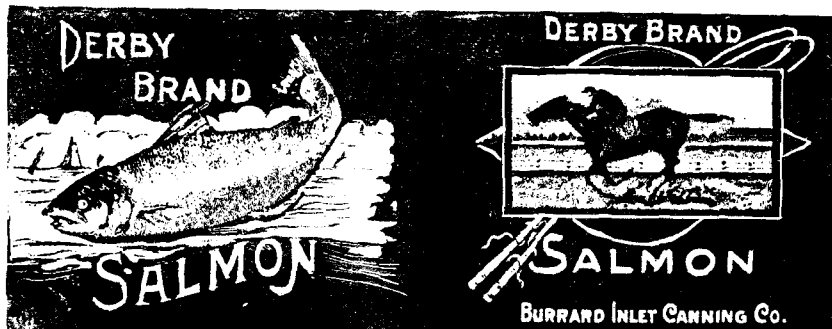
No. of class : 42.

Description of goods : Canned salmon.

No. of application : 5640.

Date : 13th November, 1905.

TRADE MARK.



The essential particular of this trade mark is the combination of devices and applicants disclaim any right to the exclusive use of the added matter, except their name and address.

NAME.

THE BRITISH COLUMBIA PACKERS ASSOCIATION, of Vancouver, British Columbia, Canada.

No. of class : 42.

Description of goods : Canned salmon.

No. of application : 5641.
Date : 13th November, 1905.

TRADE MARK.

The word

EMPRESS.

NAME.

THE BRITISH COLUMBIA PACKERS ASSOCIATION, of Van-
couver, British Columbia, Canada.

No. of class : 42.
Description of goods : Canned salmon.

No. of application : 5642.
Date : 14th November, 1905.

TRADE MARK.



The essential particulars of the trade mark are the device, the word "Thermogène," and the fac-simile signature; and the applicants disclaim any right to the exclusive use of the added matter, except in so far as it consists of their name.

NAME.

THE THERMOGÈNE COMPANY, of Queen's Road, Hayward's Heath, Sussex, England, Manufacturers.

No. of class : 3.
Description of goods : Medicated wadding.

No. of application : 5644.
Date : 17th November, 1905.

TRADE MARK.



The essential particulars of this trade mark are the figure "6" with the words "big six" and the letter "D" printed thereon; and any right to the exclusive use of the words "Trade Mark" or the figure "6" is disclaimed.

NAME.

CHARLES WILLIAM HAWKINS, of 106, George Street, Dun-
edin, in the Colony of New Zealand. Chemist.

No. of class : 3.
Description of goods : Chemical substances prepared for
use in medicine and pharmacy.

No. of application : 5645.
Date : 17th November, 1905.

TRADE MARK.



The essential particulars of this trade mark are the words "Polar Bear" and an illustration of a polar bear on ice; and any right to the exclusive use of the added matter is disclaimed.

NAME.

A. S. PATERSON AND Co., of Auckland, Wellington, and
Dunedin, in the Colony of New Zealand.

No. of class : 42.
Description of goods : Dairy salt and butter-preservative.

No. of application : 5648.
Date : 23rd November, 1905.

TRADE MARK.



LION & CORN SHEAF.

The essential particulars of this trade mark are the combination of devices and the words "Lion and Corn Sheaf"; and any right to the exclusive use of the added matter is disclaimed.

NAME.

J. WOODROW AND SONS, LIMITED, of Stockport, England.

No. of class : 38.
Description of goods : Hats and caps.

No. of application: 5650.
Date: 23rd November, 1905.

TRADE MARK.

MAMMALA

NAME.

JAMES ROBINSON HATMAKER, of 25, Rue de la Faisenderie, Paris, France.

No. of class: 42.

Description of goods: Food for infants and invalids, dry milk specially prepared for infants and invalids.

J. C. LEWIS,
Deputy Registrar.

Trade Marks registered.

LIST of Trade Marks registered from the 16th November to the 29th November, 1905, inclusive:—
Nil.

Trade Mark Renewal Fees paid.

FEES paid for the renewal of the undermentioned trade marks:—

For fourteen years from the date first mentioned.

Nos. 399/434 and 400/435.—26th January, 1906.—G. and G. E. Hatfield, trading as "Taddy and Co.," of London, England. 22nd November, 1905.

Trade Marks removed from the Register.

TRADE Marks removed from the Register, owing to the non-payment of the renewal fees, from the 16th November to the 29th November, 1905, inclusive:—

Nos. 290/233, 291/234, 292/235, 293/236, 294/237.—24th August, 1891.—Sir Titus Salt Baronet, Sons, and Co., Limited, of Saltaire, England. Classes 24, 27, 31, 34, 38.

Nos. 295/238, 297/240, 298/241, 299/242.—24th August, 1891.—Lea and Perrins, of Worcester, England. Class 42.

No. 302/250.—28th August, 1891.—A. Sinclair, of Dunedin, New Zealand. Class 38.

Nos. 304/245, 305/246, 307/248.—28th August, 1891.—Goodwin Bros., of Manchester, England. Classes 2, 3, 50.

Application for Trade Mark withdrawn.

THE following application for trade mark has been withdrawn:—

No. 5518.—J. R. Love (advertised in Supplement to *New Zealand Gazette* No. 85, of the 21st September, 1905).

Advertisements.

ADVERTISEMENTS are charged at the rate of 6d. per line for the first insertion, and 3d. per line for the second and any subsequent insertion.

All advertisements should be written on one side of the paper, and signatures, &c., should be written in a legible hand.

The number of insertions required must be written across the face of the advertisement.

Communications should be addressed to the Government Printer, Wellington, to whom post-office money-orders should be made payable. Cheques should be crossed "Public a/c," and exchange added.

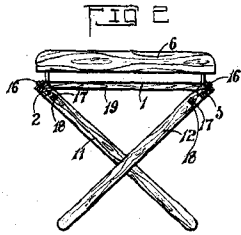
Postage or duty stamps cannot be received in payment from any place at which postal notes or post-office orders are issued.

Prepayment may be demanded in any case. In order to prevent delay in publication a sufficient remittance should accompany every advertisement. Any surplus will be returned with receipted account.

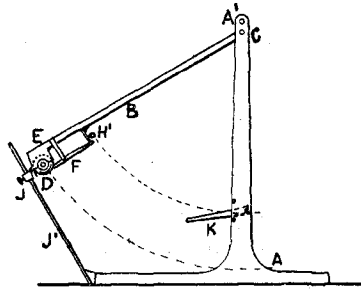
By Authority: JOHN MACKAY, Government Printer, Wellington.

ILLUSTRATIONS OF INVENTIONS.

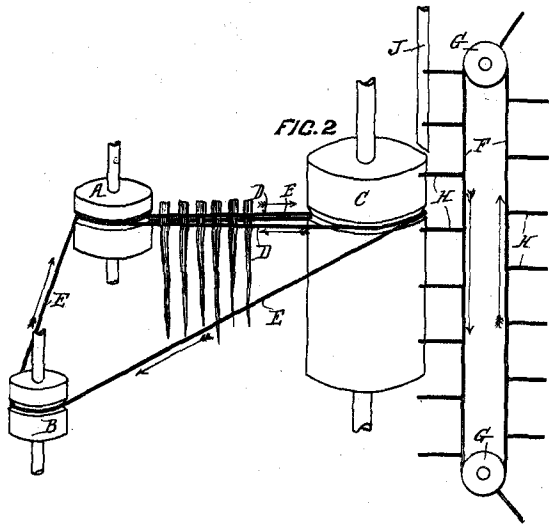
[These illustrations refer to the complete specifications accepted, and advertised in this *Gazette*.]



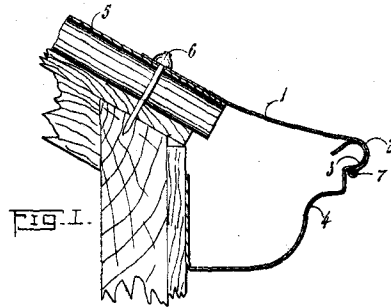
18577
Grundy. Wire Stretcher.



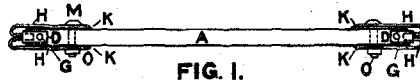
18929
Dall. Ball-tester.



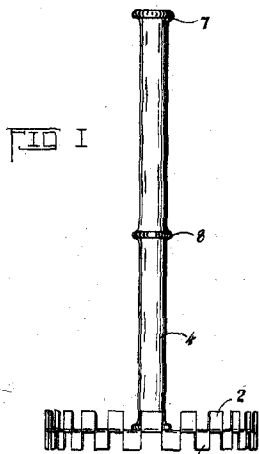
18917
Suttie and Wynyard. Flax-treating Apparatus.



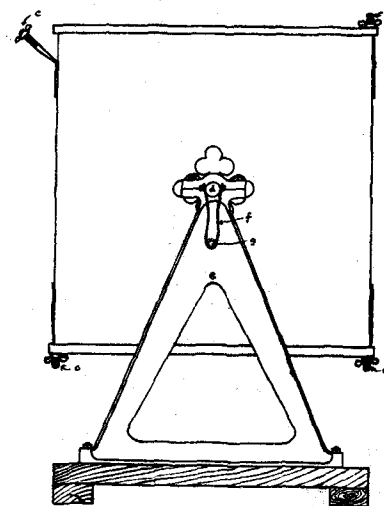
18629
O'Dowd. Roof-gutter.



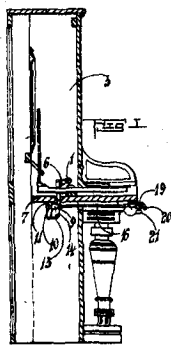
18983
Raymond. Spreader for Dray-chain.



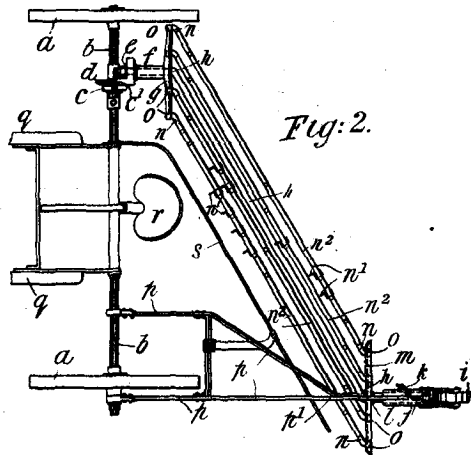
18964
Peters. Egg-beater.



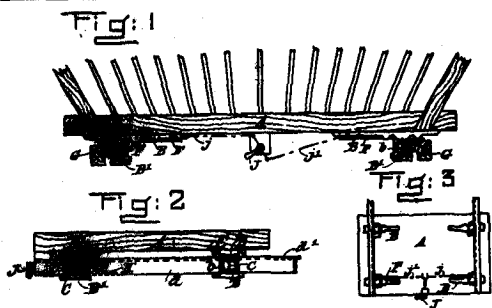
18935
McDonald. Egg-preserver.



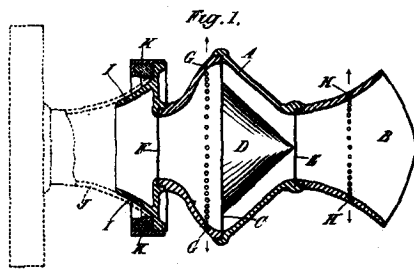
20207
Wallace and Jones. Technique-developer for Pianos.



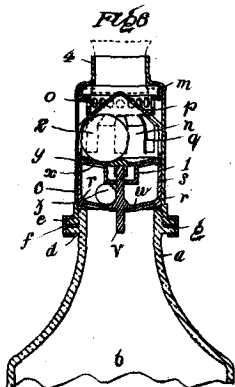
20253
Martin. Rake.



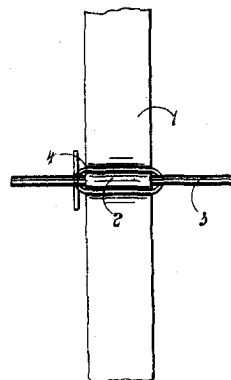
20204
Worsfold. Vehicle-seat.



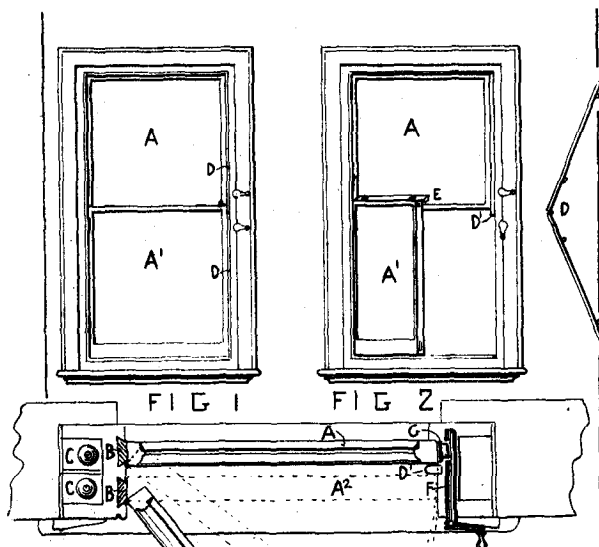
20252
Outmore. Telephone-transmitter.



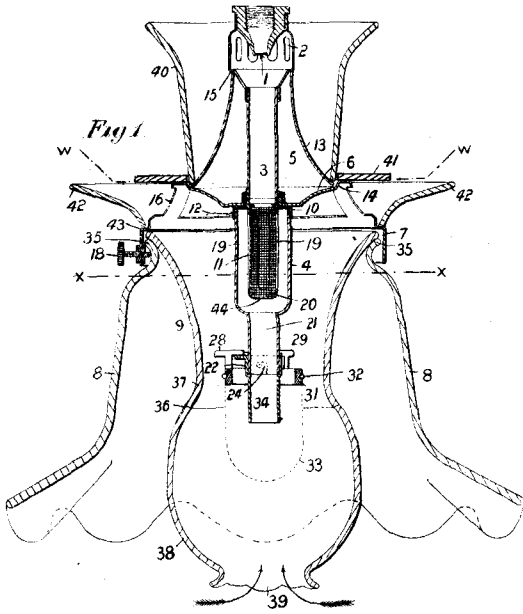
20268
Nosworthy and Prescott. Bottle and Stopper.



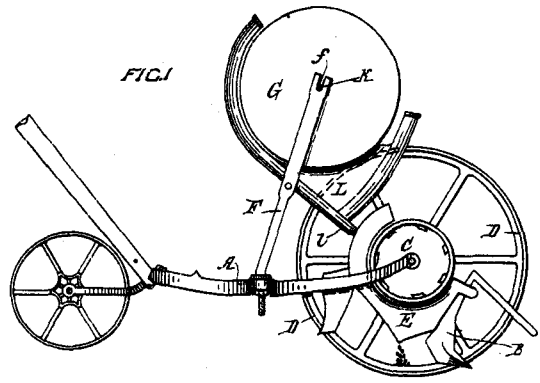
20264
Butters. Fencing-dropper.



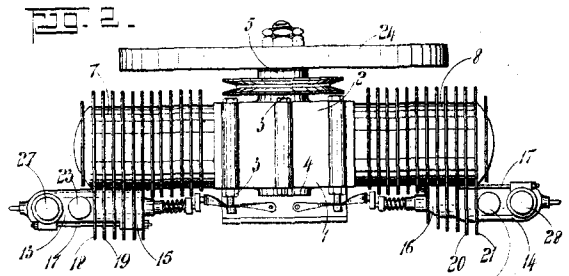
20200
Morton and Hercus. Ventilating-sash.



18737
Warry and Wigley. Gas-burner.



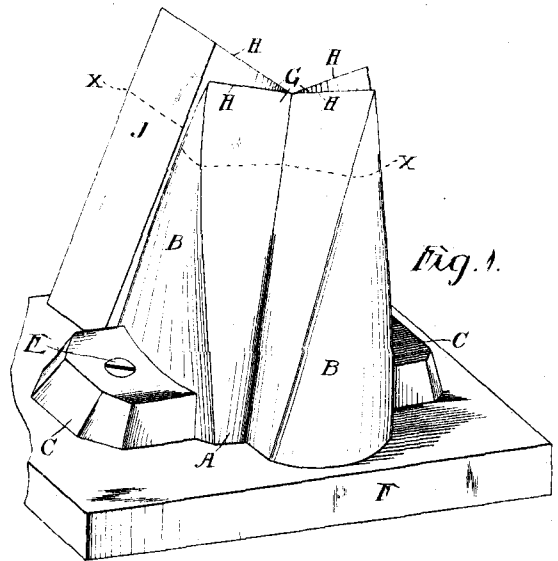
18742
Scherer. Drill.



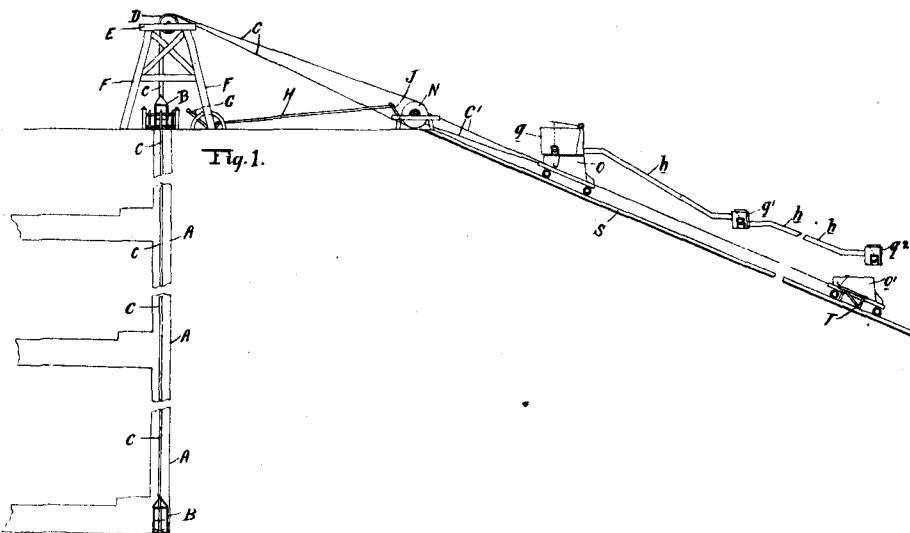
19223
Stokes and Suckling. Motor.



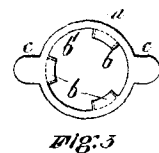
19253
Jackson. Boot.



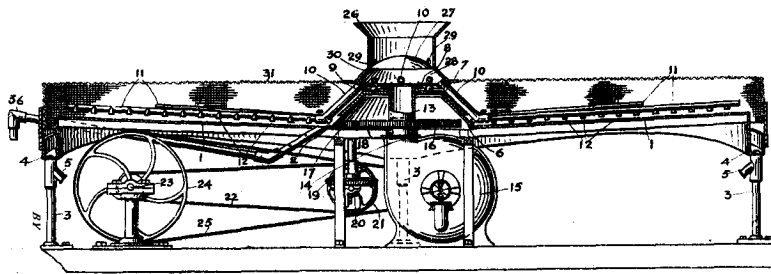
19509
Hughes. Wood-splitter.



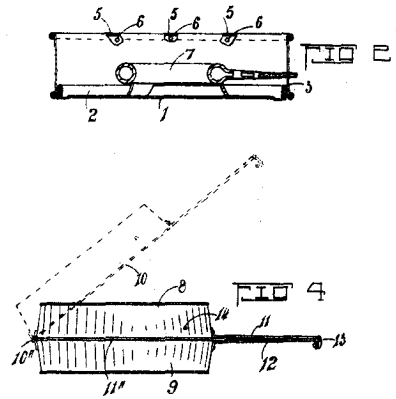
18955
Strathern. Winder and Pump. (Moorcraft.)



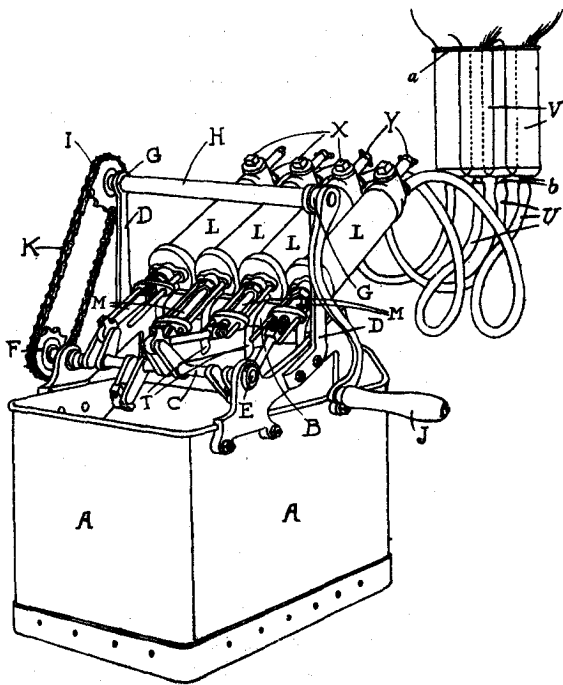
19712
Wood. Gas Lighting.



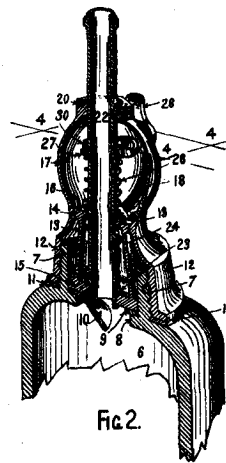
20137
Lightner, Priest, and Feige. Recovery of Precious Metals.



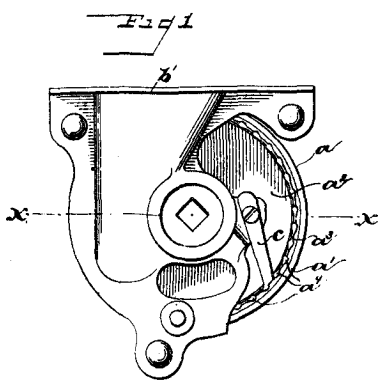
20160
Arnot. Cooking-apparatus.



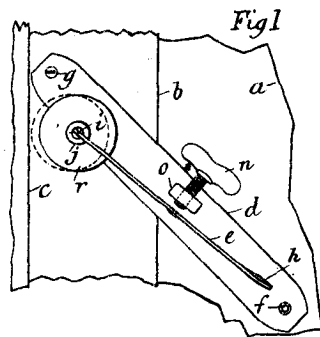
20170
Andersen. Milking-apparatus.



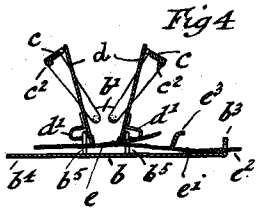
20180
Houseman. Bottle-closure.



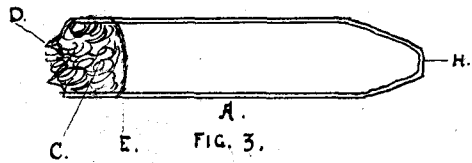
20217
American Seeding-machine Company. Seed-distributor.
(Colley and Baseman.)



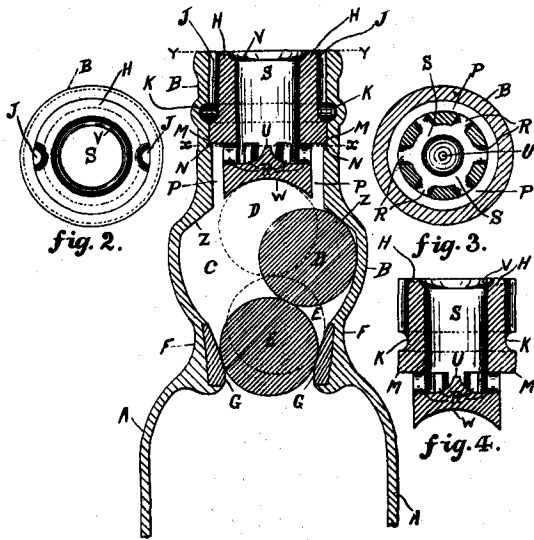
20222
Gibbon and McKean. Sash-support.



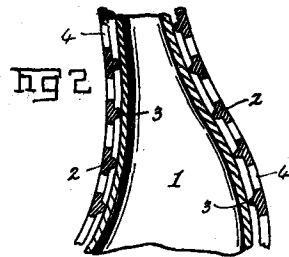
19785
Fry. Rabbit-trap.



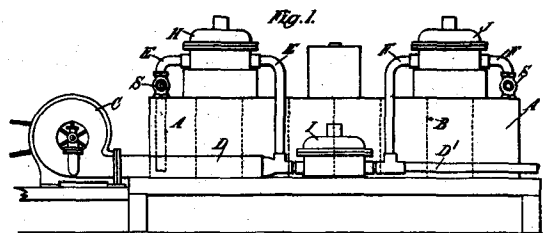
20085
MacIntosh. Tobacco-lighter.



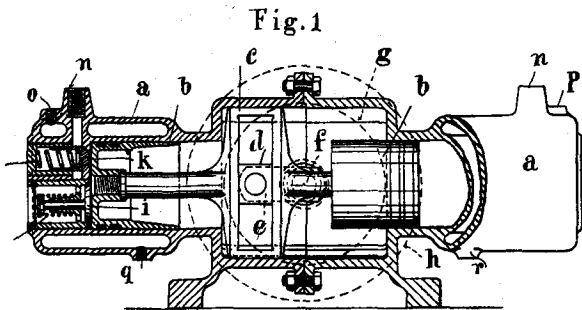
20047
Blackburn and Robertson. Non-refillable Bottle.



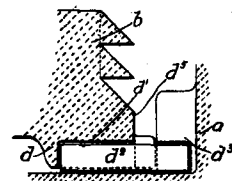
20118
Ellen. Bottle-protector.



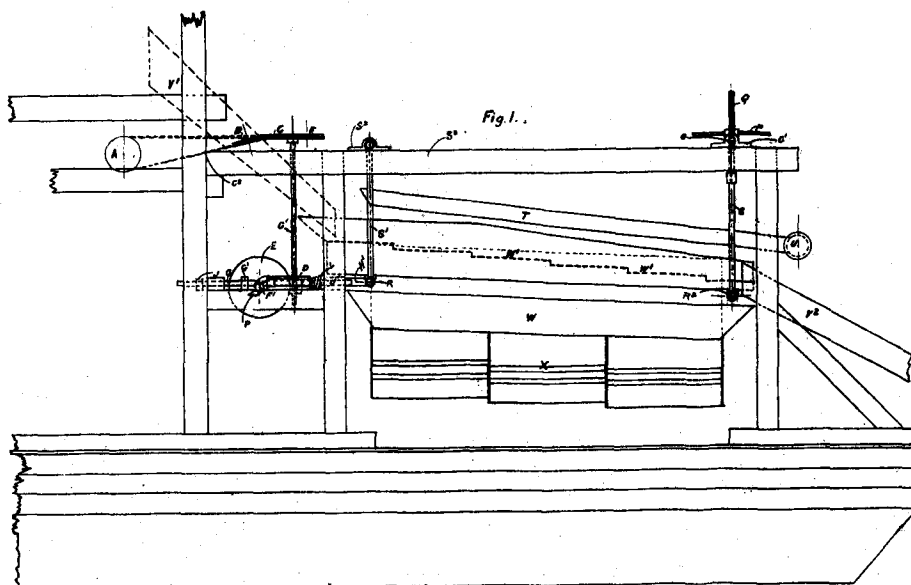
20218
Morrell. Carburetter.



20125
Stocks. Power-hammer.



20221
Middleton and Cobbe. Grinding-pan Shoe.



18971
Richmond. Gold-saving Appliance.